

Exterior Ceilings

Luxalon® Exterior Ceilings by Hunter Douglas in special aluminium alloy attached to rigidly suspended carriers ensure durability and withstand severe conditions. Allowing a wide range of design possibilities exterior ceilings are specially developed with the same aesthetic appearance as the Luxalon® Interior Ceilings.



HunterDouglas 
Architectural



Exterior Ceilings

Flexible durability

A PROVEN SYSTEM

Hunter Douglas' Luxalon® Exterior Ceiling system is specially developed to withstand the strongest weather influences. Tested by TNO, an independent testing and research institute in the Netherlands, these ceilings are guaranteed to impress with their durability and design for many years after installation. The ceiling panels are roll formed from pre-painted, stove-enamelled aluminium strip made from an alloy that is excellent for exterior applications.

The Luxalon® Exterior Ceiling system appears in many different applications including overhanging ceilings in office buildings and hotels, canopies in gas stations, and underpass applications in metro and railway stations.

DESIGN FLEXIBILITY

The Luxalon® Exterior Ceiling system creates new opportunities for expressive architecture and adds beauty and durability to any building's exterior.

Concave, convex, and undulating sections can be easily formed to design the perfect curved ceiling. The standard Luxalon® exterior colour range features a variety of colours and finishes, with custom colours delivered on request. Most Luxalon® Exterior Ceiling systems are also available for interior applications, allowing architects to visually connect the interior and exterior of a building for an impressive, unified look.

WEATHER RESISTANCE

Luxalon® Exterior Ceilings are developed to withstand all weather influences including intensive sunshine, dramatic temperature changes, moisture, pollution and strong wind loads. Their durability comes from the patented Luxacote® system, a tough coating that guarantees colour stability and high resistance against corrosion and scratches.

The ceilings are made with an ideal corrosion-resistant aluminium and feature Luxalon® ProFix™, Hunter Douglas' exterior windproof suspension system.



EASY PLENUM ACCESS

The Luxalon® system allows for easy (de)mounting of ceiling panels. Installed on a concealed suspension system, each panel and infill can be removed and replaced by hand, allowing easy and full access to services and installations in the plenum.

CONTENT	Page
84R	2
80B, 84B	3
84C	4
75C, 150C, 225C	5
300C, 300L	6
150F, 200F	7
70U	8
V100	9
Edge solutions	10
Luxalon® Profix	11 - 12
Maximum Spans	13 - 22
Material Specifications	23
Hunter Douglas Architectural	24

Designed to work for you



Production by
Hunter Douglas
Ceiling Center



84R

PANELS

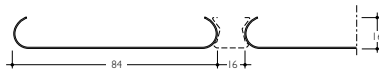
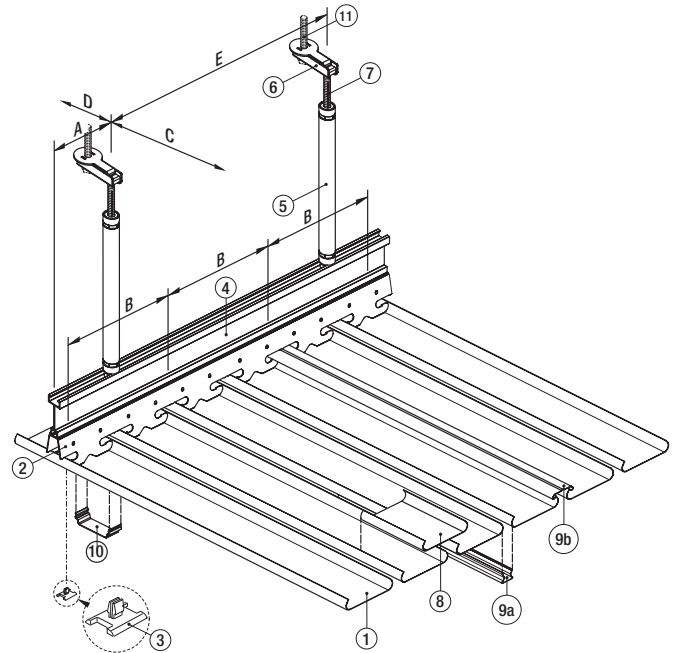
The Luxalon® 84R Ceiling system consists of round edged panels (1) which can be easily clipped on a 84R carrier (2). Panels can be joined by using the panel splice (8). Between the panels there is an open joint of 16 mm, which can be filled with a 16 mm wide flush joint profile (9a) to form a flush closed ceiling appearance or a recessed joint (9b). Join profiles can be simply inserted by hand, without using any tools.

SUSPENSION

The panel carrier (2) is black and is provided with prongs to accommodate the panels in a standard module of 100 mm. Carriers have a standard length of 5000 mm.

- A = Luxalon® ProFix™ cantilever
- B = carrier span
- C = panel span
- D = panel cantilever
- E = Luxalon® ProFix™ carrier span

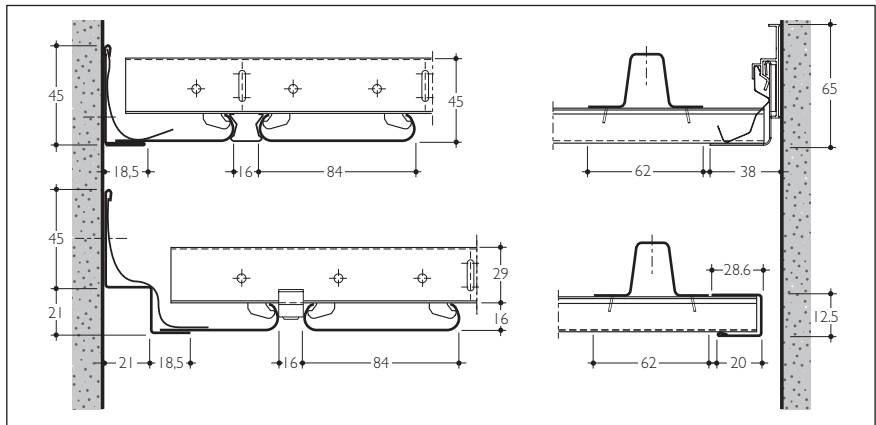
- 1 = 84R panel
- 2 = carrier
- 3 = screw washer
- 4 = reinforcement
- 5 = hanger
- 6 = top fixing
- 7 = threaded rod
- 8 = panel splice
- 9a = flush joint
- 9b = recessed joint
- 10 = locking clip
- 11 = non-HD



CONSTRUCTION DETAILS

Curved ceilings can be achieved by curving the 84R panels. See separate brochure for curved ceilings. The system is also available for interior applications.

The Luxalon® standard range of edge profiles can be used as perimeters.



MAXIMUM SPANS

See graphs on page 13.

DIMENSIONS & WEIGHTS

* Based on panels installed on 3 or more carriers. The panels are made to measure in any length up to 6000 mm.

Panel	Width (mm)	Module (mm)	Min. length (mm)	Max. length (mm)	Weight panels & carriers/m ² *	
					Excl joins	Incl joins
84R	84	100	1000	6000	1.7 kg	2.2 kg

MATERIAL REQUIREMENT PER M²

The required number of components depend on individual project requirements. Figures based on a ceiling installed on 3 or more carriers and submitted to a windload (pressure) of 1000 N/m². For corners, roof edges, special designs etc. wind pressure/suction shall be determined with due consideration to the local country's Standard Codes of Building Practice. Panels > 6000 mm available on request.

	Unit	84R exterior system (panel + flush joint)
Panels	lm	10
Join profiles	lm	10
Carriers	lm	1.25
Carrier splice	pcs	0.25
Suspension	pcs	2.13
Locking clips	pcs	12.5

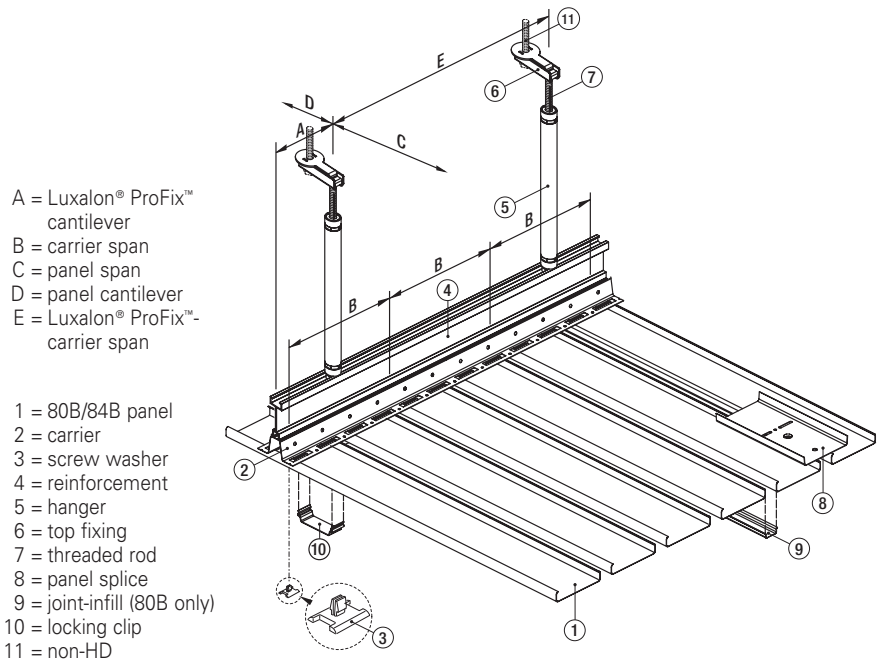
80B, 84B

PANELS

The Luxalon® 80B/84B Ceiling system consists of box shaped, 80 mm/ 84 mm wide aluminium panels (1) which can be easily clipped on the 80B/84B carrier (2). Panels can be joined by using the panel splice (8). Between the 80B panels there is an open joint of 20 mm, which can be filled with a recessed U-shaped infill profile (9). Between the 84B panels there is an open joint of 16 mm.

SUSPENSION

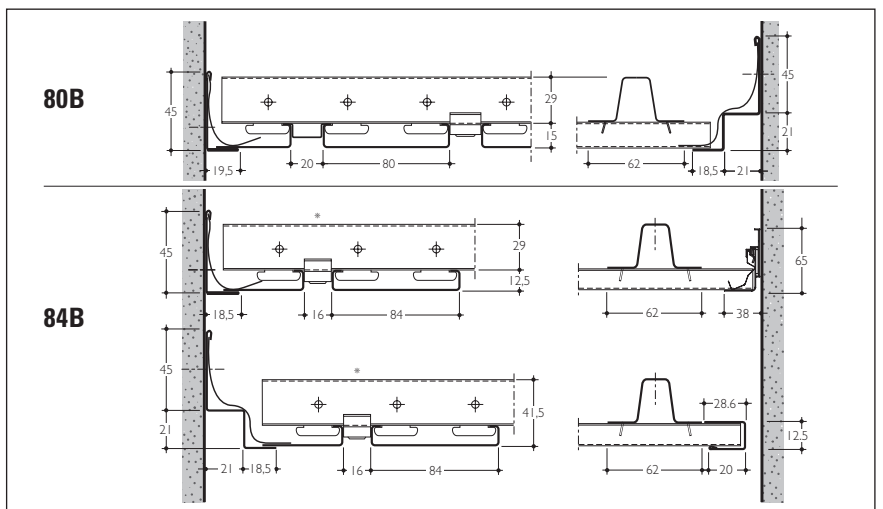
The carrier (2) is black, and provided with prongs to accommodate the panels in a module of 100 mm. Carriers have a standard length of 5000 mm.



CONSTRUCTION DETAILS

The 80B panels combined with join profiles provide a visually closed ceiling. The system is also available for interior applications. Flexible carriers are available in order to create a curved ceiling. See separate brochure.

The Luxalon® standard range of edge profiles can be used as perimeters.



MAXIMUM SPANS

See graphs on page 14 and 15.

DIMENSIONS & WEIGHTS

* Based on panels installed on 3 or more carriers.

Panels from 250-1000 mm and > 6000 mm are available on request.

Panel	Width (mm)	Module (mm)	Min. length (mm)	Max. length (mm)	Weight panels & carriers/m ² *
80B	80	100	1000	6000	2.5
84B	84	100	1000	6000	1.7

MATERIAL REQUIREMENT PER M²

The required number of components depend on individual project requirements. Figures based on a ceiling installed on 3 or more carriers and submitted to a windload (pressure) of 1000 N/m². For corners, roof edges, special designs etc. wind pressure/suction shall be determined with due consideration to the local country's Standard Codes of Building Practice.

	Unit	80B exterior system	84B exterior system
Panels	lm	10	10
U-shaped join profiles	lm	10	-
Carriers	lm	0.77 / 1.25*	0.71
Carrier splice	pcs	0.15 / 0.25*	0.14
Suspension	pcs	1.77 / 2.13*	2.13
Locking clips	pcs	- / 12.5*	7.1

* When used without joint profiles

84C

PANELS

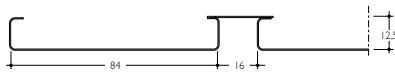
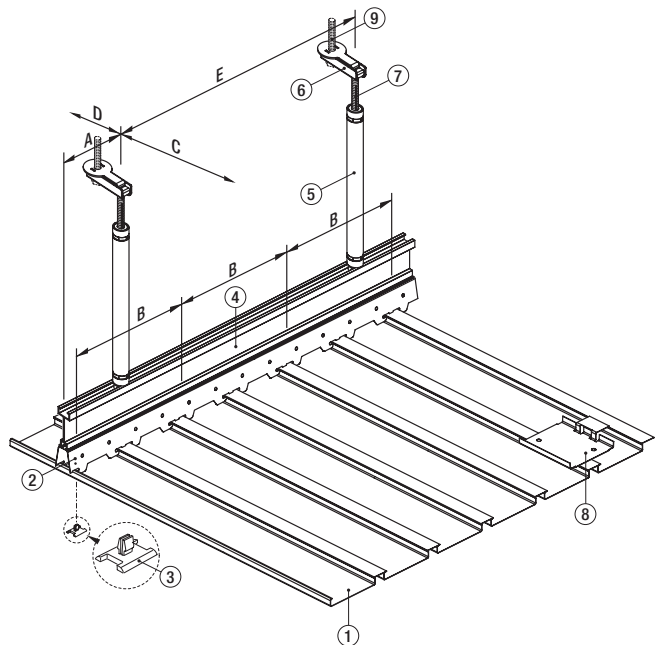
The Luxalon® 84C Closed Ceiling system consists of box shaped panels (1) which can be easily clipped on a 84C carrier (2). The 84 mm wide panels feature a 24 mm wide flange that closes-off the 16 mm joint between the panels (module 100 mm). The 12.5 mm deep recessed joint gives a linear direction to the ceiling plane whilst being closed-off from the plenum. The panels are made to measure and can be supplied in any length up to 6000 mm.

SUSPENSION

The panel carrier (2) is black and is provided with prongs to accommodate the panels in a standard module of 100 mm. Carriers have a standard length of 5000 mm.

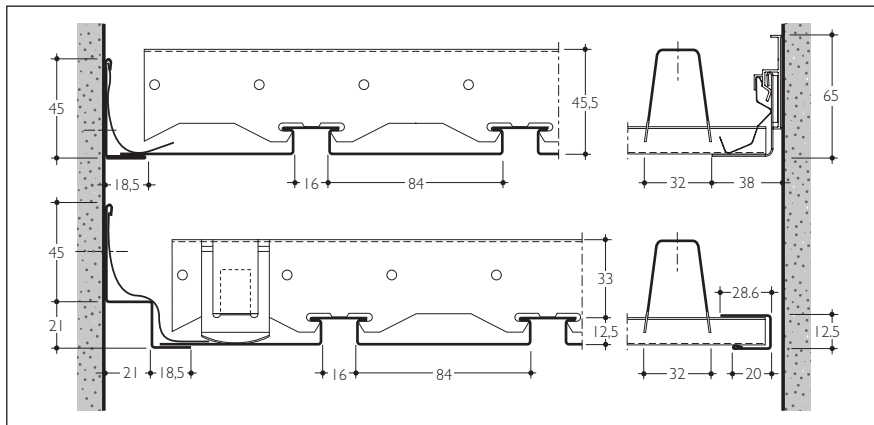
- A = Luxalon® ProFix™ cantilever
- B = carrier span
- C = panel span
- D = panel cantilever
- E = Luxalon® ProFix™ carrier span

- 1 = 84C panel
- 2 = carrier
- 3 = screw washer
- 4 = reinforcement
- 5 = hanger
- 6 = top fixing
- 7 = threaded rod
- 8 = panel splice
- 9 = non-HD



CONSTRUCTION DETAILS

The Luxalon® standard range of edge profiles can be used as perimeters.



MAXIMUM SPANS

See graphs on page 16.

DIMENSIONS & WEIGHTS

* Based on panels installed on 3 or more carriers. The panels are made to measure in any length up to 6000 mm. Panels > 6000 mm available on request.

Panel	Width (mm)	Module (mm)	Min. length (mm)	Max. length (mm)	Weight panels & carriers/m ² * Aluminium carrier
84C	84	100	1000	6000	2.1 kg

MATERIAL REQUIREMENT PER M²

The required number of components depend on individual project requirements. Figures based on a ceiling installed on 3 or more carriers and submitted to a windload (pressure) of 1000 N/m². For corners, roof edges, special designs etc. wind pressure/suction shall be determined with due consideration to the local country's Standard Codes of Building Practice.

	Unit	84C exterior system
Panels	lm	10
Carriers	lm	0.625
Carrier splice	pcs	0.12
Suspension	pcs	3

75C, 150C, 225C

PANELS

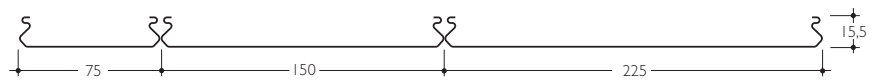
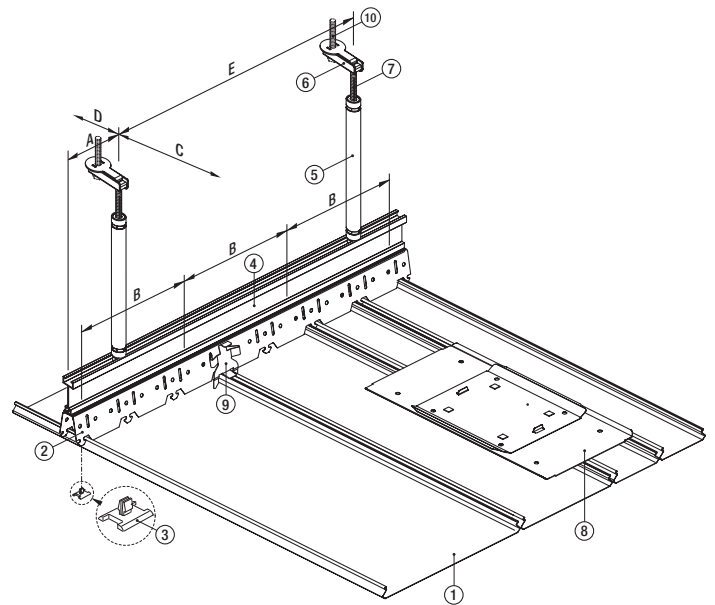
The Luxalon® Closed Ceiling system has a choice of three widths of panels (1). All three widths can be combined and easily clipped on a universal carrier (2). Panels can be joined by using the panel splice (8). Locking clips (9) for 150C and 225C are fitted crosswise on to the carrier, on top of the prongue in order to fully secure the panels and to create a ceiling able to withstand windloads.

SUSPENSION

The panel carrier (2) is black, made of 0.95 mm thick stove enamelled aluminium and is provided with prongs to accommodate the panels in a width of 75, 150 or 225 mm. Carriers have a standard length of 5000 mm.

- A = Luxalon® ProFix™ cantilever
- B = carrier span
- C = panel span
- D = panel cantilever
- E = Luxalon® ProFix™-carrier span

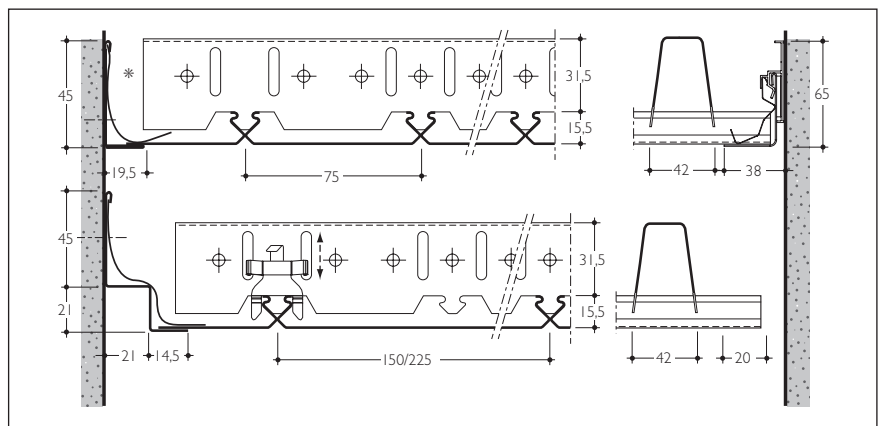
- 1 = panel
- 2 = carrier
- 3 = screw washer
- 4 = reinforcement
- 5 = hanger
- 6 = top fixing
- 7 = threaded rod
- 8 = panel splice
- 9 = locking clip
- 10 = non-HD



CONSTRUCTION DETAILS

The neat closed joints present smooth uninterrupted appearance. By combining the narrow and wide panels (75, 150 and 225 mm) on one universal carrier, various dimensional effects are possible, providing the designer unlimited possibilities.

The Luxalon® standard range of edge profiles can be used as perimeters.



MAXIMUM SPANS

See graphs on page 17.

DIMENSIONS & WEIGHTS

* Based on panels installed on 3 or more carriers. The panels are made to measure in any length up to 6000 mm. Panels > 6000 mm available on request.

Panel	Module (mm)	Min. length (mm)	Max. length (mm)	Weight panels & carriers/m ² *
75C	75	1000	6000	2.63 kg
150C	150	1000	6000	2.29 kg
225C	225	1000	6000	2.28 kg

MATERIAL REQUIREMENT PER M²

The required number of components depend on individual project requirements. Figures based on a ceiling installed on 3 or more carriers and submitted to a windload (pressure) of 1000 N/m². For corners, roof edges, special designs etc. wind pressure/suction shall be determined with due consideration to the local country's Standard Codes of Building Practice.

	Unit	75C	150C	225C
Panels	lm	13.33	6.67	4.44
Carriers	lm	0.83	1.0	1.25
Carrier splice	pcs	0.16	0.2	0.25
Locking clips	pcs	-	6.67	5.55

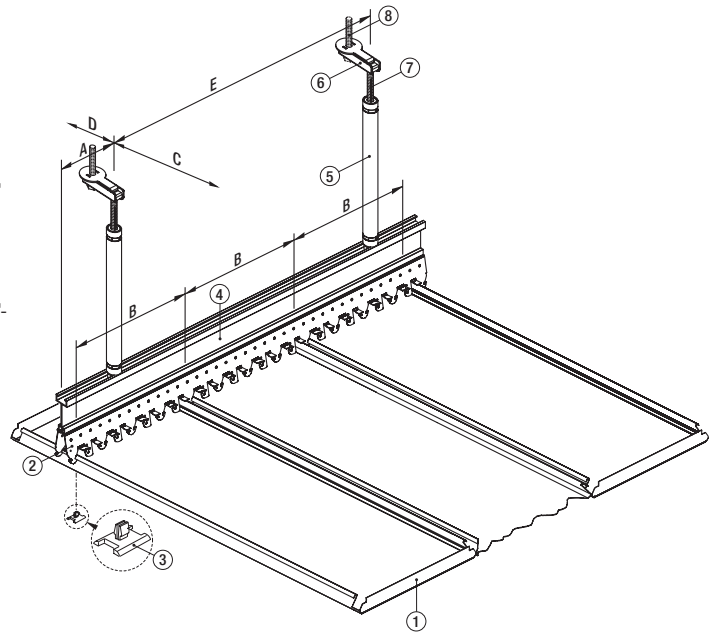
300C/300L Carrier

PANELS

The Luxalon® 300C/L Panels (1) are 300 mm wide and have resp. a V-joint or L-joint. All panels can simply be fixed on the carrier (2) by hanging one side of the panel on the prongs of the carrier and by then pressing the other side in place with an upward movement. An uncluttered monolithic ceiling appearance is achieved using the concealed 300C/300L carrier suspension system. The panels do not require any locking clips.

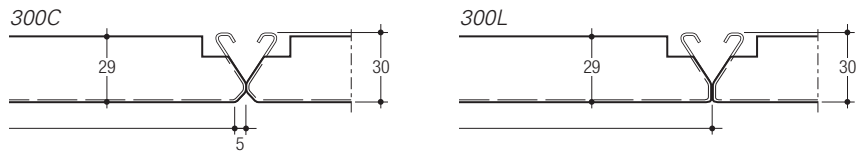
A = Luxalon® ProFix™ cantilever
 B = carrier span
 C = panel span
 D = panel cantilever
 E = Luxalon® ProFix™-carrier span

1 = 300C/L panel
 2 = carrier
 3 = screw washer
 4 = reinforcement
 5 = hanger
 6 = top fixing
 7 = threaded rod
 8 = non-HD



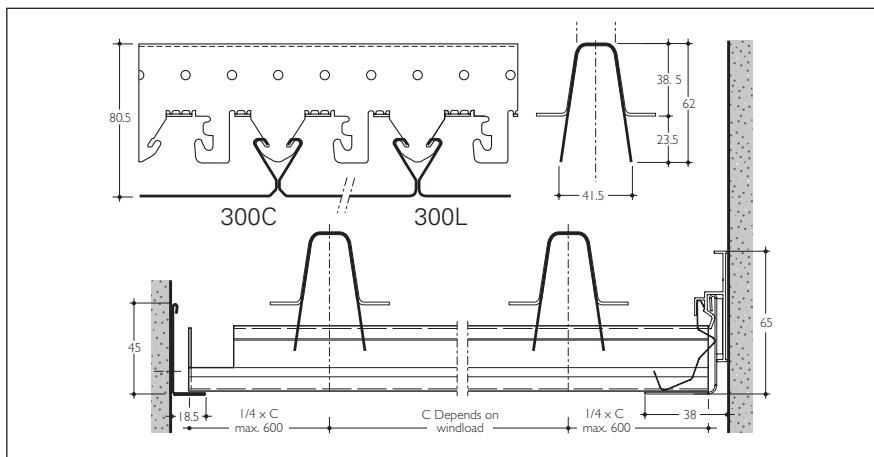
SUSPENSION

The panel carrier is black, made of 0.95 mm thick aluminium and is provided with prongs to accommodate the panels. Carriers have a standard length of 4950 mm.



CONSTRUCTION DETAILS

The Luxalon® standard range of edge profiles can be used as perimeters.



MAXIMUM SPANS

See graphs on page 18.

DIMENSIONS & WEIGHTS

* Based on panels installed on 3 or more carriers. The panels are made to measure in any length up to 6000 mm.

Panels from 600-1000 mm and > 6000 mm available on request.

Panel	Width (mm)	Min. length (mm)	Max. length (mm)	Weight panels & carriers/m ² *
300C/L	300	1000	6000	3.7 kg

MATERIAL REQUIREMENT PER M²

The required number of components depend on individual project requirements. Figures based on a ceiling installed on 4 or more carriers and submitted to a windload (pressure) of 1500 N/m². For corners, roof edges, special designs etc. wind pressure/suction shall be determined with due consideration to the local country's Standard Codes of Building Practice.

	Unit	300C/L Carrier system
Panels	lm	3.33
Carrier	lm	1.05
Carrier splice	pcs	0.21
Suspension	pcs	3.125

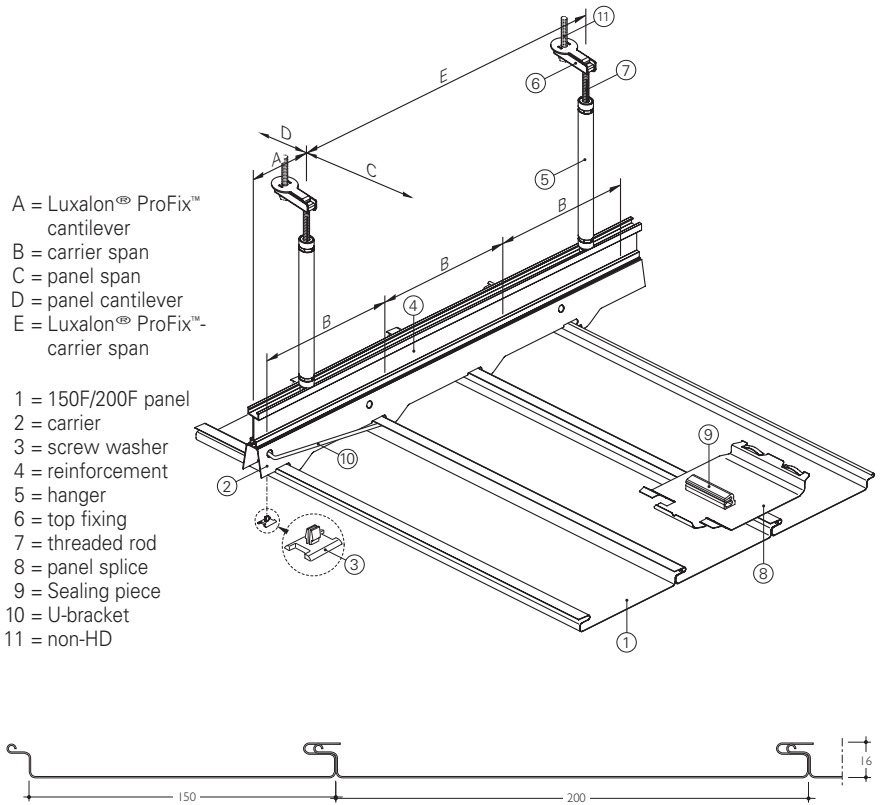
150F, 200F

PANELS

The Luxalon® 150F/200F Ceiling system consists of 150 mm or 200 mm wide aluminium panels (1) which can simply be clipped into the prongs of a 150F or a 200F carrier (2). The panels can be joined by using the panel splice (8).

SUSPENSION

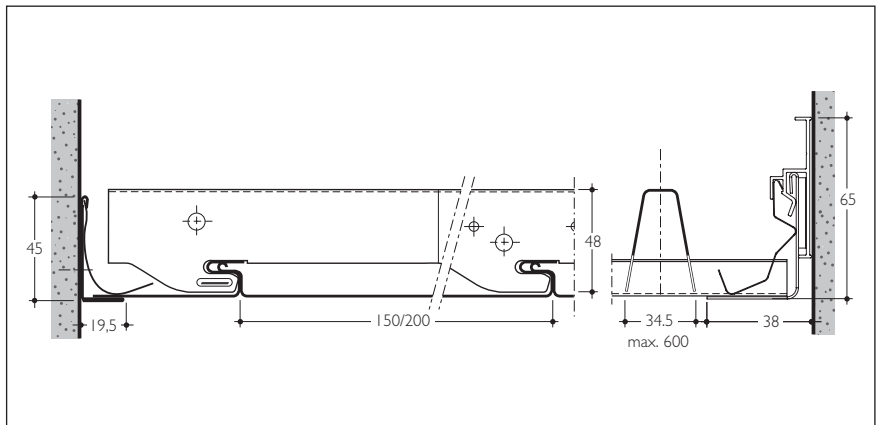
The carrier (2) is black, made of 0.95 mm thick (for 150F) or 1.2 mm thick (for 200F) stove enamelled aluminium and is provided with prongs to accommodate the panels. Carriers have a standard length of 5000 mm and are connected by using the carrier splice (200F) or by sliding the ends of the carriers into each other (150F).



CONSTRUCTION DETAILS

The neat closed joints present a smooth uninterrupted appearance. Panels can be secured to the carrier by using U-brackets, providing a very rigid system which is able to withstand extreme wind suction (over 2000 N/m²). For installations requiring combinations of 150F and 200F panels a screw clamp is available. Curved ceilings can be achieved by using a curved subconstruction in combination with screw clamps.

The Luxalon® standard range of edge profiles can be used as perimeters.



MAXIMUM SPANS

See graphs on page 19 and 20.

DIMENSIONS & WEIGHTS

* Based on panels installed on 3 or more carriers.

Panels from 800-1000 mm and > 6000 mm are available on request.

Panel	Width (mm)	Module (mm)	Min. length (mm)	Max. length (mm)	Weight panels & carriers/m ² *
150F	150	150	1000	6000	2.8 kg
200F	200	200	1000	6000	3.1 kg

MATERIAL REQUIREMENT PER M²

The required number of components depend on individual project requirements. Figures based on a ceiling installed on 3 or more carriers and submitted to a windload (pressure) of 1500 N/m². For corners, roof edges, special designs etc. wind pressure/suction shall be determined with due consideration to the local country's Standard Codes of Building Practice.

	Unit	150F system	200F system
Panels	lm	6.67	5
Carrier	lm	0.61	0.65
Carrier splice	pcs	0.12	0.13
Suspension	pcs	3.3	3.45
U-bracket (Optional)	pcs	2.03	1.63

70U

PANELS

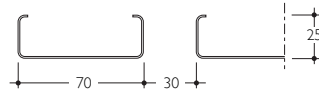
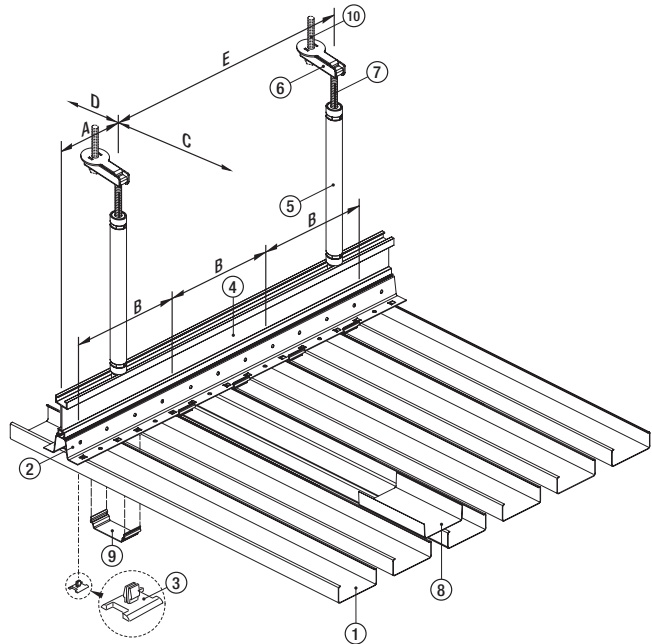
The Luxalon® Exterior 70U Ceiling system consists of box shaped, 70 mm wide, 25 mm deep, 0.8 mm thick aluminium panels (1) which can be easily clipped on a 70U carrier (2). Panels can be joined by using the panel splice (8). Locking clips (9) are fitted on to the carrier between the panels in order to fully secure the panels.

SUSPENSION

The panel carrier (2) is black, made of 0.95 mm thick stove enamelled aluminium and is provided with prongs to accommodate the panels in a standard module of 100 mm. Carriers have a standard length of 5000 mm.

- A = Luxalon® ProFix™ cantilever
- B = carrier span
- C = panel span
- D = panel cantilever
- E = Luxalon® ProFix™ carrier span

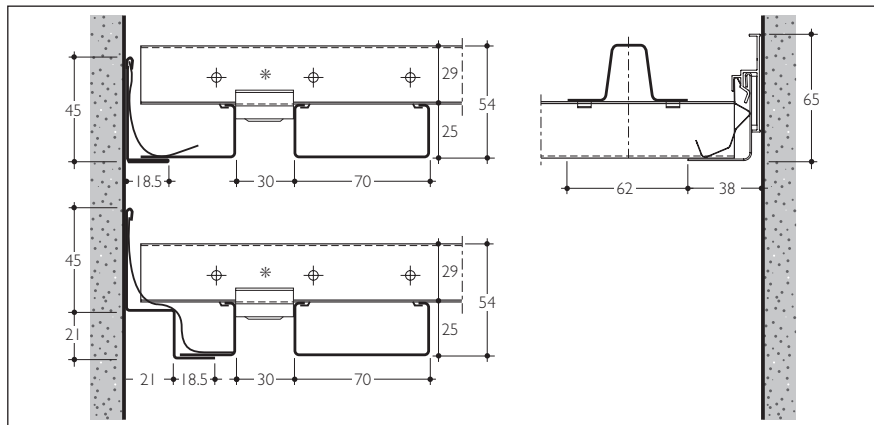
- 1 = 70U panel
- 2 = carrier
- 3 = screw washer
- 4 = reinforcement
- 5 = hanger
- 6 = top fixing
- 7 = threaded rod
- 8 = panel splice
- 9 = locking clip
- 10 = non-HD



CONSTRUCTION DETAILS

Flexible carriers are available in order to create a curved ceiling.

The Luxalon® standard range of edge profiles can be used as perimeters.



MAXIMUM SPANS

See graphs on page 21.

DIMENSIONS & WEIGHTS

* Based on panels installed on 3 or more carriers. The panels are made to measure in any length up to 6000 mm. Panels > 6000 mm available on request.

Panel 70U	Width (mm)	Height (mm)	Module (mm)	Min. length (mm)	Max. length (mm)	Weight panels & carriers/m ² *	
						Steel Carrier	Alu Carrier
Alu 0.8	70	25	100	1000	6000	3.27 kg	2.9 kg

MATERIAL REQUIREMENT PER M²

The required number of components depend on individual project requirements. Figures based on a ceiling installed on 3 or more carriers and submitted to a windload (pressure) of 1000 N/m². For corners, roof edges, special designs etc. wind pressure/suction shall be determined with due consideration to the local country's Standard Codes of Building Practice.

	Unit	70U Ceiling system
Panels	lm	10
Carrier	lm	0.67
Carrier splice	pcs	0.13
Suspension	pcs	2.13
Locking clips	pcs	6.7

V100

PANELS

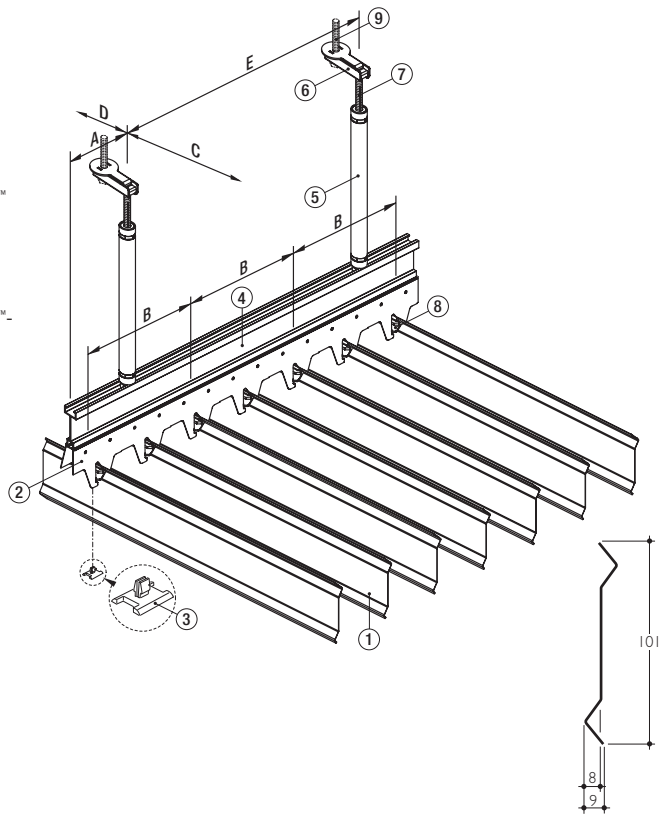
The Luxalon® V100 Screen Ceiling system is a lightweight, floating ceiling. The panels (1) are 101 mm high (V100) and can easily be clipped on the carrier (2). Locking clips made of clear PVC (8) are used for securing the V100 panels. Looking at the ceiling in an angle of approximately 45 degrees, the ceiling has a closed appearance.

SUSPENSION

The panel carriers (2) are white or black, made of 0.95 mm thick aluminium and provided with prongs to accommodate the panels in a module of 100 mm, 150 mm or 200 mm. Carriers have a standard length of 5000 mm.

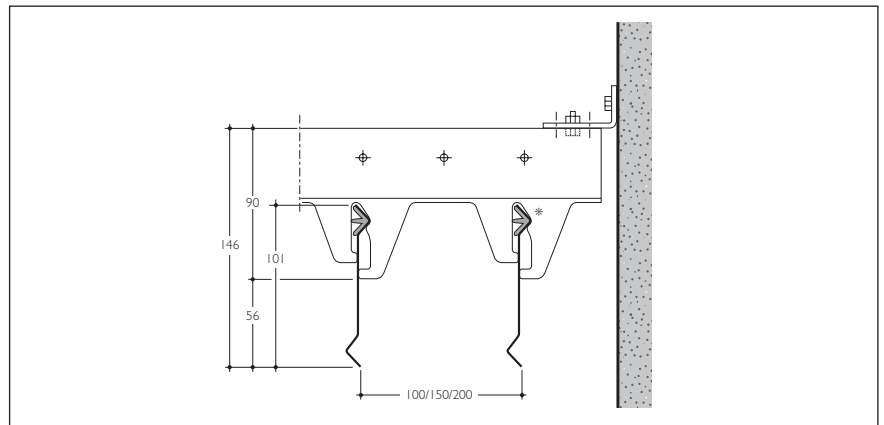
- A = Luxalon® ProFix™ cantilever
- B = carrier span
- C = panel span
- D = panel cantilever
- E = Luxalon® ProFix™ carrier span

- 1 = V100 panel
- 2 = carrier
- 3 = screw washer
- 4 = reinforcement
- 5 = hanger
- 6 = top fixing
- 7 = threaded rod
- 8 = locking clip
- 9 = non-HD



CONSTRUCTION DETAILS

The Luxalon® V100 Screen Ceiling system allows for easy demounting of the panels. Each panel can be easily removed and replaced by hand. Even without removing the panels, the system allows for easy and full access to services and installations in the plenum.



MAXIMUM SPANS

See graphs on page 22.

DIMENSIONS & WEIGHTS

Panels from 250-1000 mm and > 6000 mm are available on request. Weights are based on a system installed on 3 or more fixing points.

Panel	Height (mm)	Min. length (mm)	Max. length (mm)	Weight panels & carriers/m ² *		
				M 100	M 150	M200
V100	101	1000	6000	2.1 kg	1.5 kg	1.1 kg

MATERIAL REQUIREMENT PER M²

Other accessories depend on individual project requirements. Figures are based on maximum spans and on using 3 or more fixing points. At 500 N/m² 3 or more carriers are used. For corners, roof edges, special designs etc. wind pressure/suction shall be determined with due consideration to the local country's Standard Codes of Building Practice.

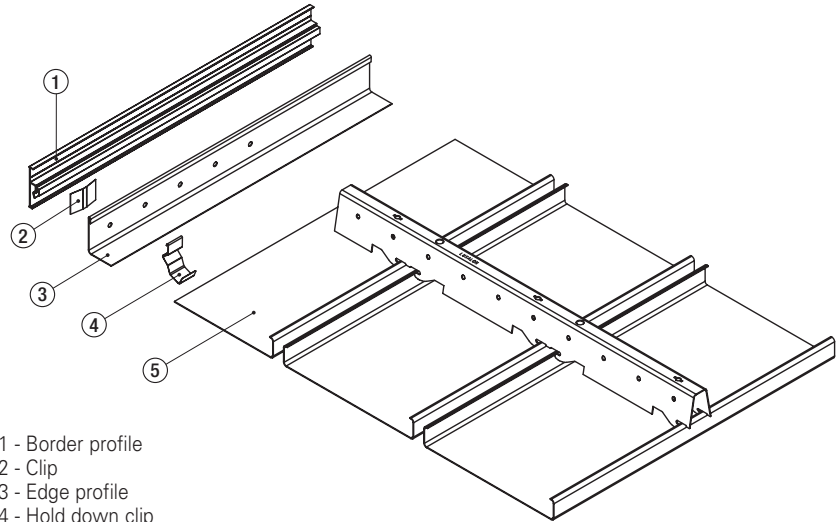
	Unit	M 100	M 150	M 200
Panels	lm	10	6.67	5
Carriers	lm	0.48	0.48	0.48
Carrier splice	pcs	0.10	0.10	0.10
Suspension	pcs	0.77	0.77	0.77
Locking clips	pcs	4.8	3.2	2.4

Edge solutions

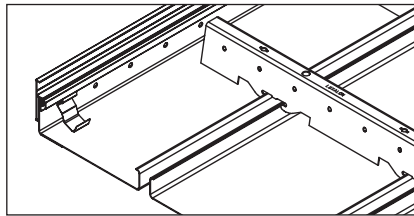
LUXALON® CLICK-IN PROFILE

The Luxalon® Click-In Profile is a practical and esthetical edge solution specially developed for Luxalon® Exterior Ceilings. After fixing the Border profile (1) and installing the ceiling panels, the last thing to do is click-in the Edge profile (3).

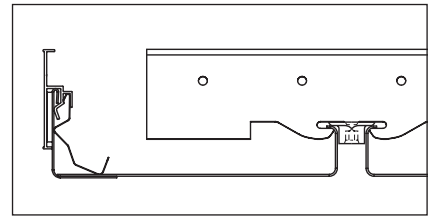
The click-in profile can be used together with any of the L or W shaped edge profiles. In case of access to the plenum the Edge profile can be removed before demounting the ceiling panels.



- 1 - Border profile
- 2 - Clip
- 3 - Edge profile
- 4 - Hold down clip
- 5 - Adapter panel

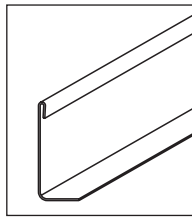


Mounted system

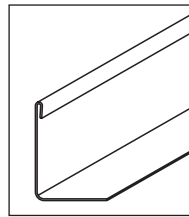


Side view

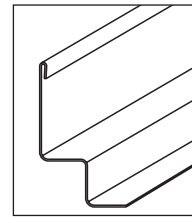
EDGE PROFILES



Wall L-profile Alu
(45 x 18.5)



Wall L-profile Alu
(45 x 32.5)



Wall W-profile Alu
(45 x 21 x 21 x 18.5)

Luxalon® ProFix™

LUXALON® PROFIX™

Luxalon® ProFix™ is a suspension system made by Hunter Douglas expressly for exterior applications. A cost- and time-saving tool, the system simplifies installation and provides safety and reliability, even when faced with strong wind loads.

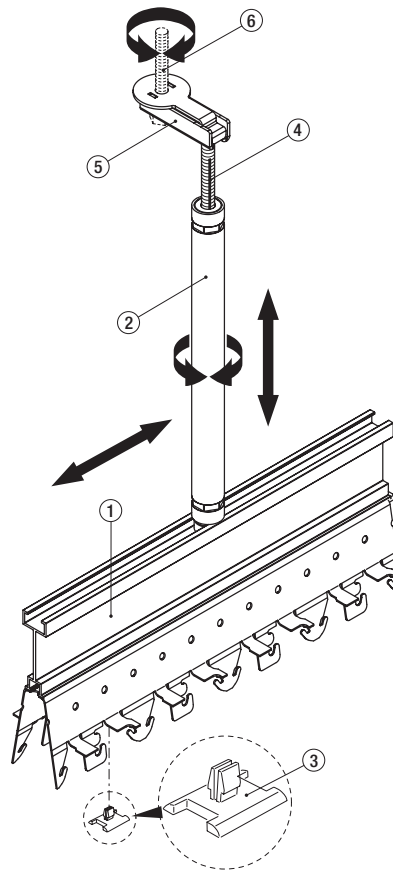
Luxalon® ProFix™ consists of:

- A strengthening profile; reinforcing our carriers, creating a bigger span and therefore saves on suspension material and labour (less holes to drill)
- a top fixing; allowing easy mounting of the hanger
- a hanger; adaptable in length and resisting high wind forces

MINIMUM AND MAXIMUM PLENUM HEIGHT WITH LUXALON® PROFIX™

Using the Luxalon® ProFix™ suspension system provides the benefit of a wide variety in the preferred plenum height. Minimum plenum height is 250 mm, maximum is 1.250 mm (including carrier and reinforcement).

The hangers are available in 10 different lengths which vary between 200 and 1.100 mm, in steps of 100 mm (200, 300, 400 mm etc.). An individual ProFix™ hanger provides the possibility to vary in length. Each hanger can be adjusted in length + or - 50 mm.



- 1 = reinforcement
- 2 = hanger
- 3 = screw washer + screw
- 4 = threaded rod
- 5 = top fixing
- 6 = non-HD

SYSTEM SPECIFICATIONS IN GENERAL

Luxalon® Exterior Ceiling panels are made to measure with a standard maximum length of 6.000 mm. The recyclable, lightweight, and strong aluminium panels can be joined by using the panel splice. The black aluminium panel carrier is provided with prongs to accommodate the panels, has a standard length of 5.000 mm, and is connected by using the carrier splice.

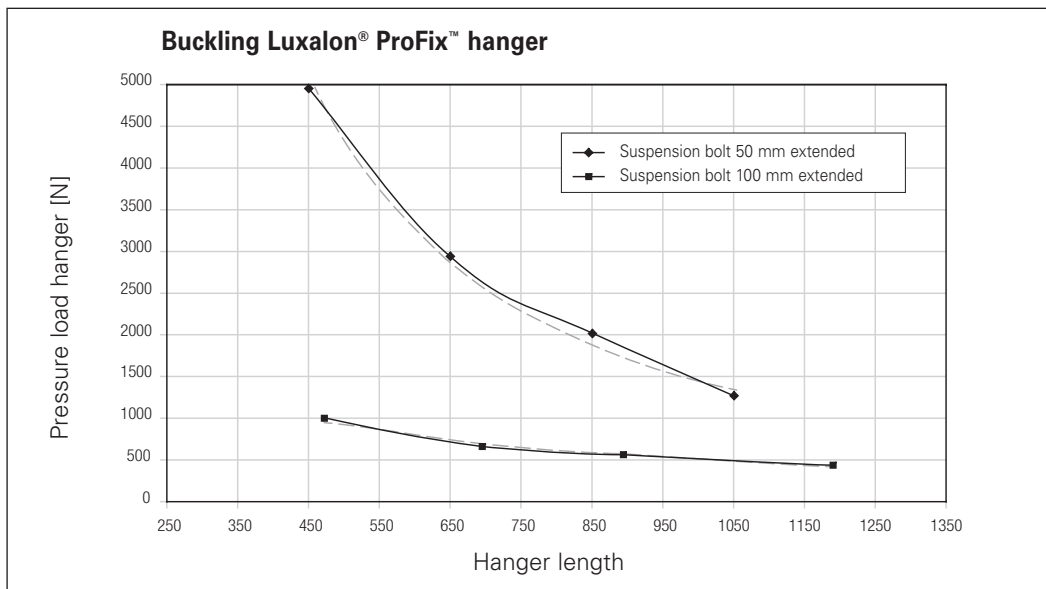
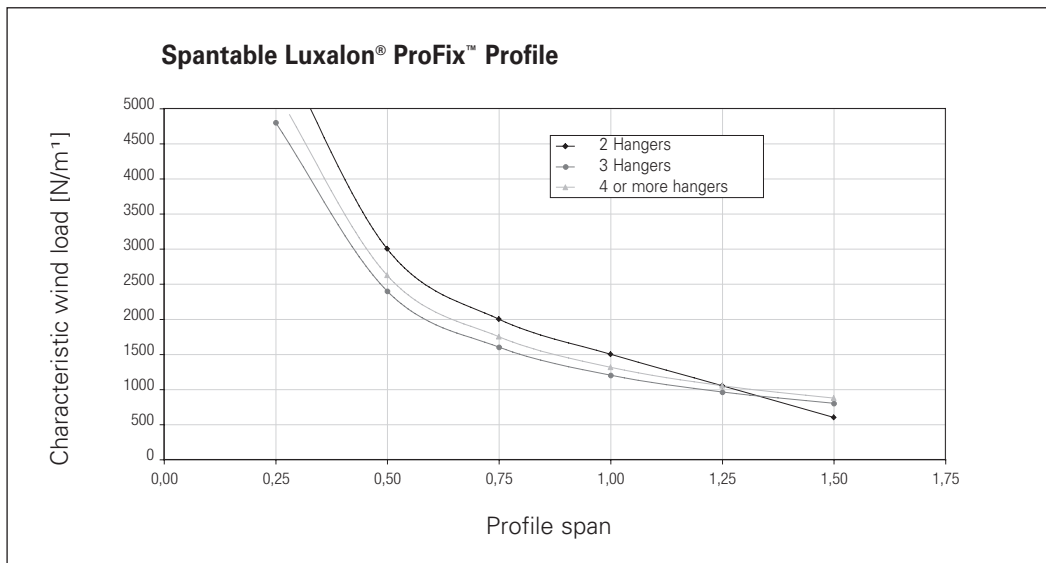
Locking clips are fitted crosswise onto every panel, adjacent to the carriers, in order to fully secure the panels and create a ceiling able to withstand the strongest wind loads. The carrier can be suspended at centers determined by the wind loading graphs, using a rigid levelled suspension system and the screw washer to isolate dissimilar metals.

System specifications	System Panel width (mm)	Join width (mm)	Mix different sizes	Curved	Interior applic. available	Acces to plenum	Luxalon® ProFix™	Luxacote®
84R	84	16*		•••	•	•	•	•
80B	80	20*		•	• (Multi panel system)	•	•	•
84B	84	16		•	•	•	•	•
84C	84	16			•	•	•	•
75C, 150C, 225C	75, 150, 225	-	•		•	•	•	•
300C	300	-		•	•	•	•	•
300L	300	-			•	•	•	•
150F, 200F	150, 200	-	•	•	•	•	•	•
70U	70	30		•	•	•	•	•
V100	100	Module 100, 150 or 200			• (V100, V200)	•	•	On request

*Join profiles are available and provide a visually closed ceiling

** Panel can also be curved

Luxalon® ProFix™ Calculations



- Profile span (x)

The profile span, in relation to the wind load (pressure or suction), can be calculated from the graph above. At 1.000 N/m² the profile span should be 1.200 mm (4 or more hangers).

- Buckling load on the hangers

Before establishing the buckling load on the hangers, the load per hanger is to be determined by applying one of the following formulas:

Number of hangers	Calculation of 'pressure load per hanger'
4 per full profile length (1500 mm c.t.c.)	$1.1 q \times \text{profile span (x) in m}$
5 per full profile length (1150 mm c.t.c.)	$1.143 q \times \text{profile span (x) in m}$
6 per full profile length (900 mm c.t.c.)	$1.132 q \times \text{profile span (x) in m}$

$q = \text{pressure load in N/m}^2$ (uniformly distributed loads on the Luxalon® ProFix™ profile)

The maximum allowed hanger length in relation to the determined pressure load on the hanger can be read from the graph above in the same way as the profile span. At 1.000 N pressure load the maximum hanger length should be 1050 mm (bolt 50 mm extended).

Note: For corners, roof edges, special designs etc. wind pressure/suction shall be determined with due consideration to the relevant local country's Standard Codes of Building Practice.

Maximum Spans

84R

- Panel span (c)

The panel spans, in relation to the wind load (pressure or suction), can be calculated from the graph adjacent. At 1.000 N/m² the panel span should be 900 mm (84R + open joint on 3 or more carriers).

- Carrier span (b)

Before establishing the fixing distance of the carriers, the load per lineal meter carrier is to be determined by applying one of the following formulas:

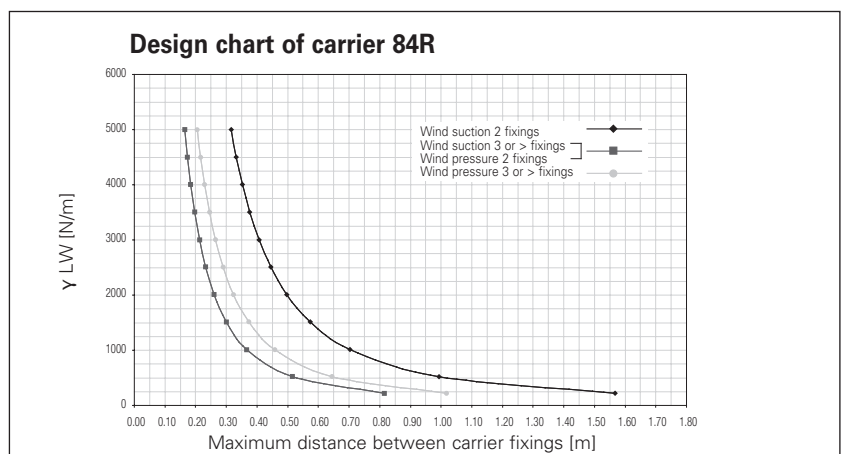
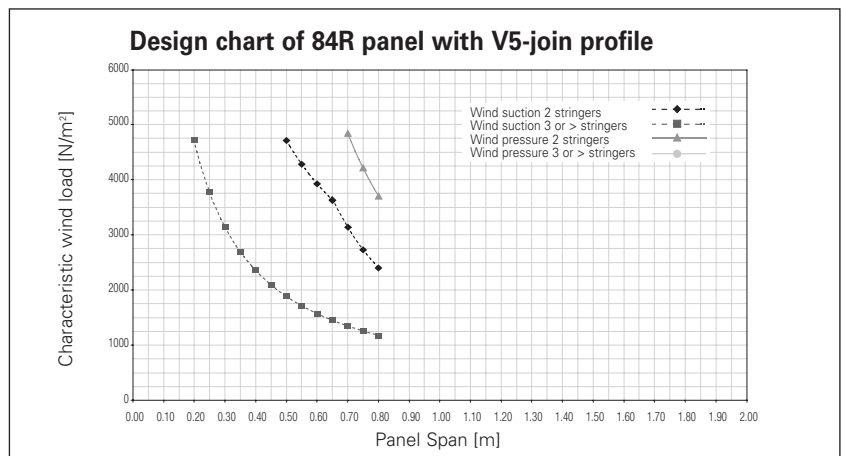
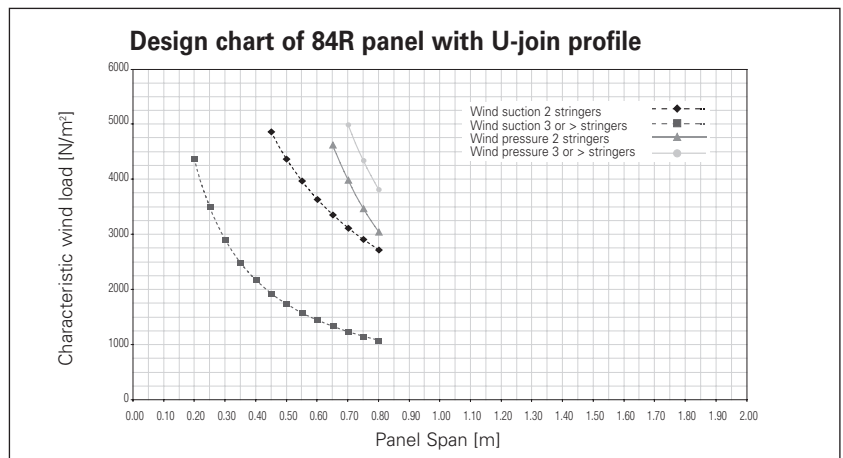
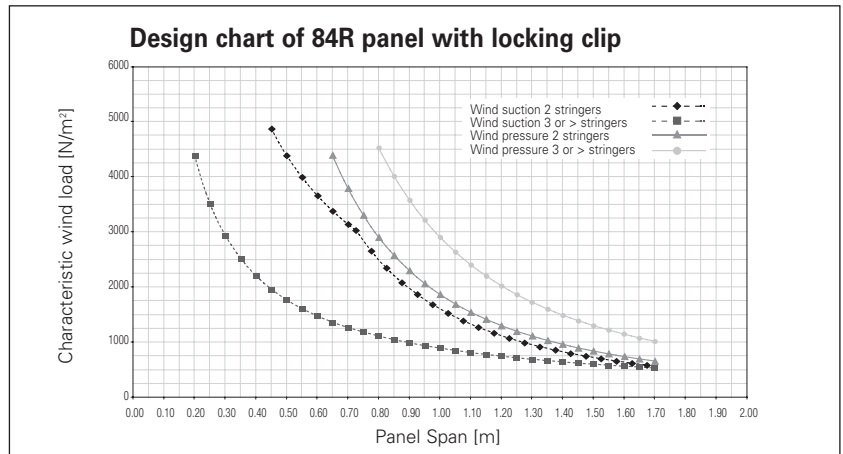
Panels installed on:	Calculation of 'load per lineal meter carrier'
2 carriers	0.5 q x panel span (C) in m
3 carriers	1.25 q x panel span (C) in m
4 or more	1.15 q x panel span (C) in m

$q = \text{windload in N/m}^2$
(uniformly distributed loads)

The carrier span (fixing distance) (B) can be read from the graph adjacent in the same way as the panel span.

Note: For corners, roof edges, special designs etc. wind pressure/suction shall be determined with due consideration to the relevant local country's Standard Codes of Building Practice.

When join profiles are used the max. admissible panelspan is 800 mm, irrespective to the windload



Maximum Spans

80B

- Panel span (c)

The panel spans, in relation to the wind load (pressure or suction), can be calculated from the graph adjacent. At 1.000 N/m² the panel span should be 900 mm (on 3 or more carriers).

- Carrier span (b)

Before establishing the fixing distance of the carriers, the load per lineal meter carrier is to be determined by applying one of the following formulas:

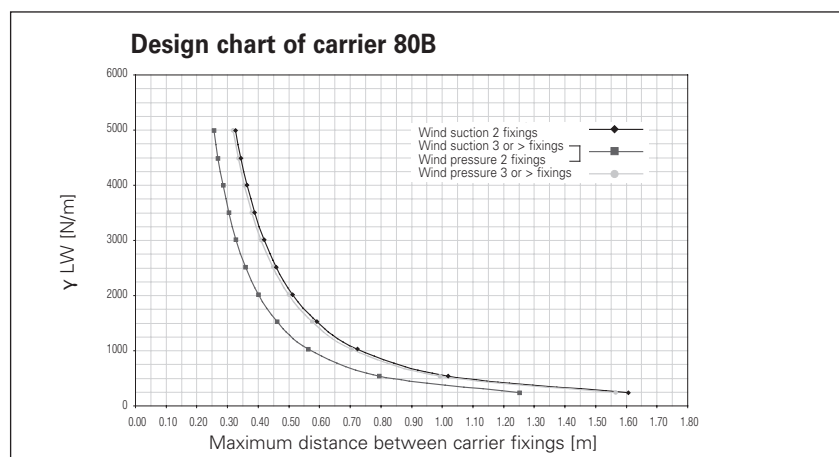
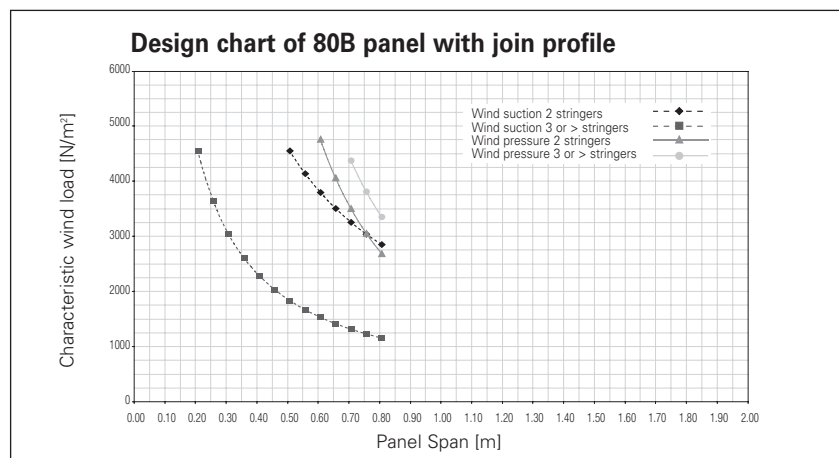
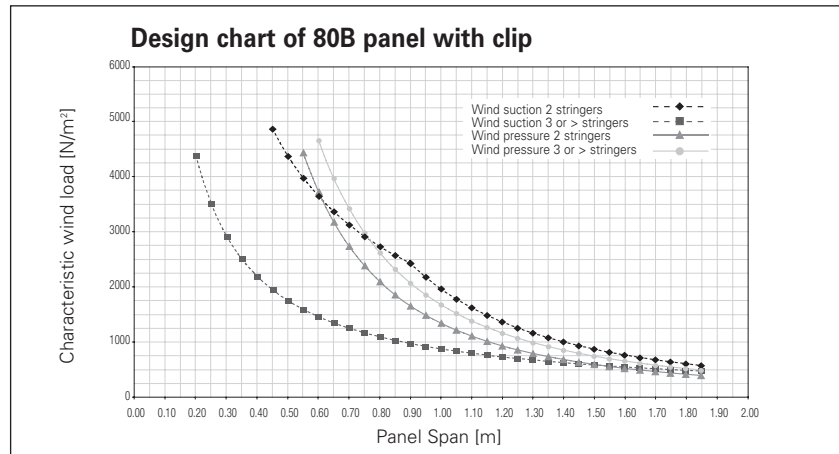
Panels installed on:	Calculation of 'load per lineal meter carrier'
2 carriers	0.5 q x panel span (C) in m
3 carriers	1.25 q x panel span (C) in m
4 or more	1.15 q x panel span (C) in m

$q = \text{windload in N/m}^2$
(uniformly distributed loads)

The carrier span (fixing distance) (B) can be read from the graph adjacent in the same way as the panel span.

Note: For corners, roof edges, special designs etc. wind pressure/suction shall be determined with due consideration to the relevant local country's Standard Codes of Building Practice.

When join profiles are used the max. admissible panelspan is 800 mm, irrespective to the windload



Maximum Spans

84B

- Panel span (c)

The panel spans, in relation to the wind load (pressure or suction), can be calculated from the graph adjacent. At 1.000 N/m² the panel span should be 1.100 mm (on 3 or more carriers).

- Carrier span (b)

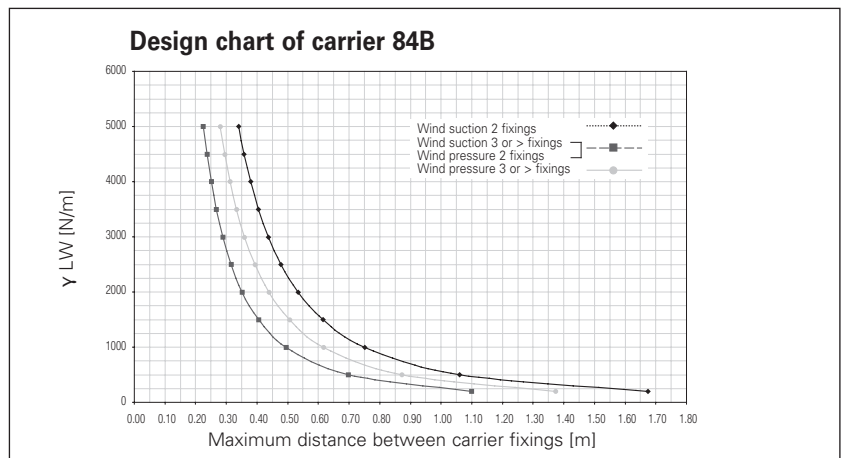
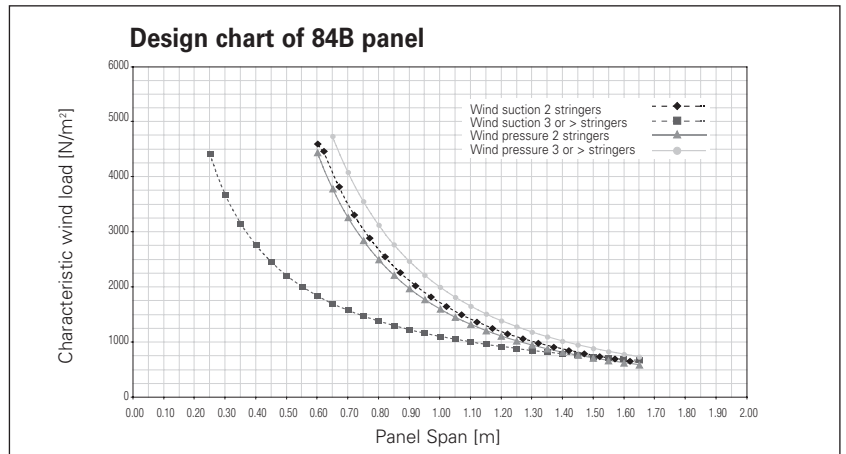
Before establishing the fixing distance of the carriers, the load per lineal meter carrier is to be determined by applying one of the following formulas:

Panels installed on:	Calculation of 'load per lineal meter carrier'
2 carriers	0.5 q x panel span (C) in m
3 carriers	1.25 q x panel span (C) in m
4 or more	1.15 q x panel span (C) in m

$q = \text{windload in N/m}^2$
(uniformly distributed loads)

The carrier span (fixing distance) (B) can be read from the graph adjacent in the same way as the panel span.

Note: For corners, roof edges, special designs etc. wind pressure/suction shall be determined with due consideration to the relevant local country's Standard Codes of Building Practice.



Maximum Spans

84C

- Panel span (c)

The panel spans, in relation to the wind load (pressure or suction), can be calculated from the graph adjacent. At 1.000 N/m² the panel span should be 600 mm (on 3 or more carriers).

- Carrier span (b)

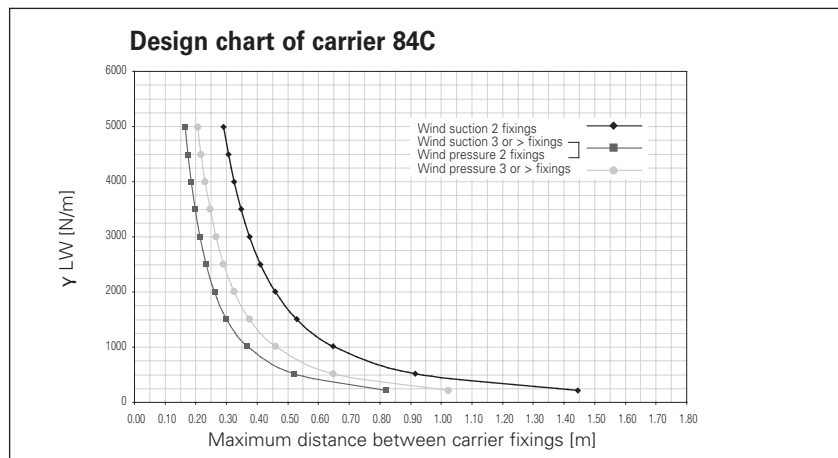
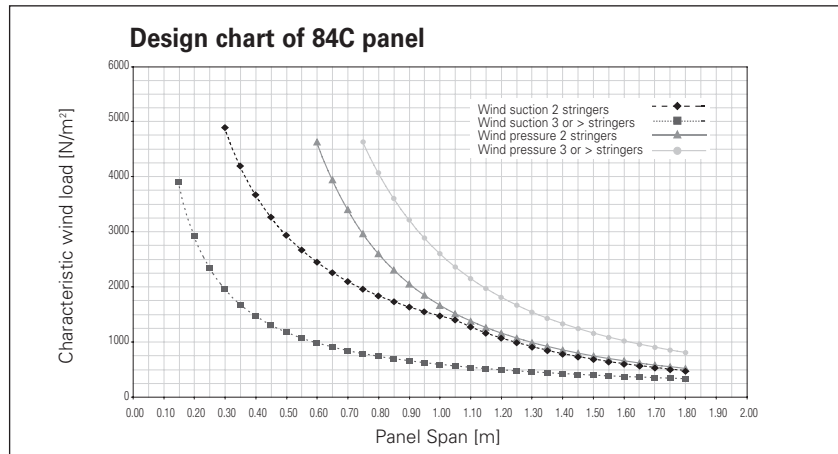
Before establishing the fixing distance of the carriers, the load per lineal meter carrier is to be determined by applying one of the following formulas:

Panels installed on:	Calculation of 'load per lineal meter carrier'
2 carriers	0.5 q x panel span (C) in m
3 carriers	1.25 q x panel span (C) in m
4 or more	1.15 q x panel span (C) in m

$q = \text{windload in N/m}^2$
(uniformly distributed loads)

The carrier span (fixing distance) (B) can be read from the graph adjacent in the same way as the panel span.

Note: For corners, roof edges, special designs etc. wind pressure/suction shall be determined with due consideration to the relevant local country's Standard Codes of Building Practice.



Maximum Spans

75C, 150C, 225C

- Panel span (c)

The panel spans, in relation to the wind load (pressure or suction), can be calculated from the graph adjacent. At 1.000 N/m² the panel span should be 1.200 mm (75C-panel on 3 or more carriers).

- Carrier span (b)

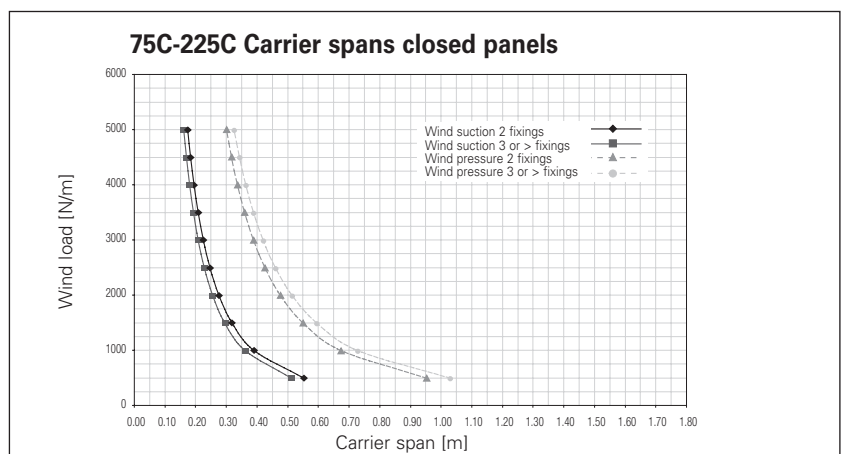
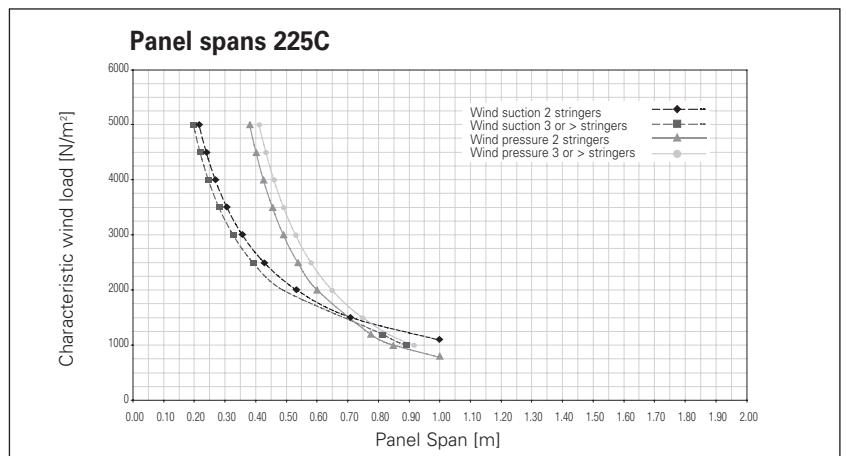
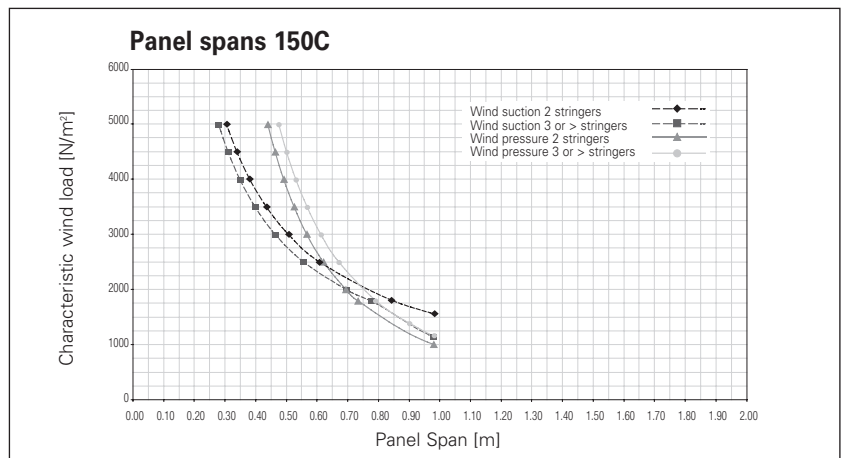
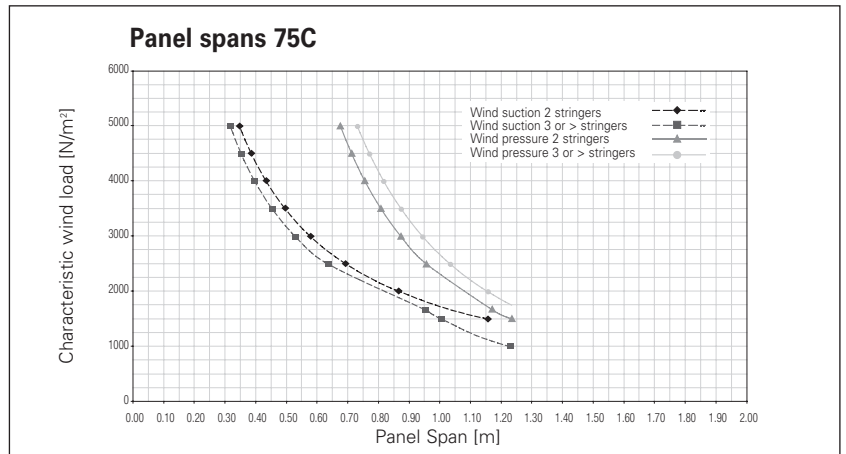
Before establishing the fixing distance of the carriers, the load per lineal meter carrier is to be determined by applying one of the following formulas:

Panels installed on:	Calculation of 'load per lineal meter carrier'
2 carriers	$0.5 q \times \text{panel span (C) in m}$
3 carriers	$1.25 q \times \text{panel span (C) in m}$
4 or more	$1.15 q \times \text{panel span (C) in m}$

$q = \text{windload in N/m}^2$
(uniformly distributed loads)

The carrier span (fixing distance) (B) can be read from the graph adjacent in the same way as the panel span.

Note: For corners, roof edges, special designs etc. wind pressure/suction shall be determined with due consideration to the relevant local country's Standard Codes of Building Practice.



Maximum Spans

300C, 300L

- Panel span (c)

The panel spans, in relation to the wind load (pressure or suction), can be calculated from the graph adjacent. At 1.500 N/m² the panel span should be 780 mm (300C panel on 3 or more carriers).

- Carrier span (b)

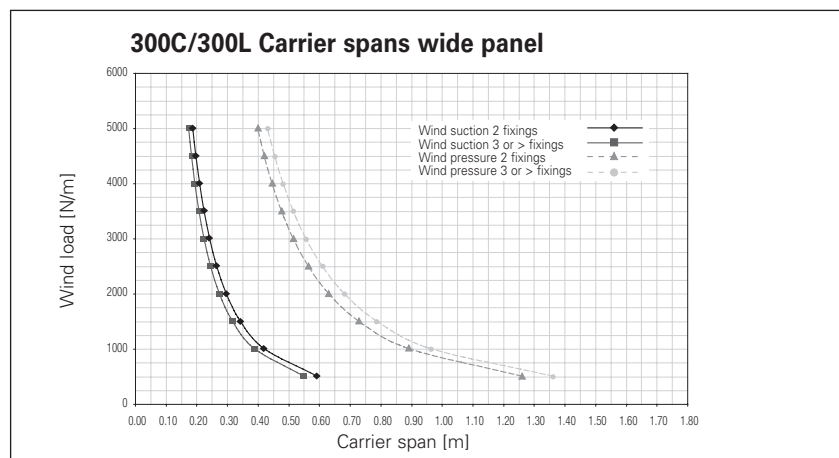
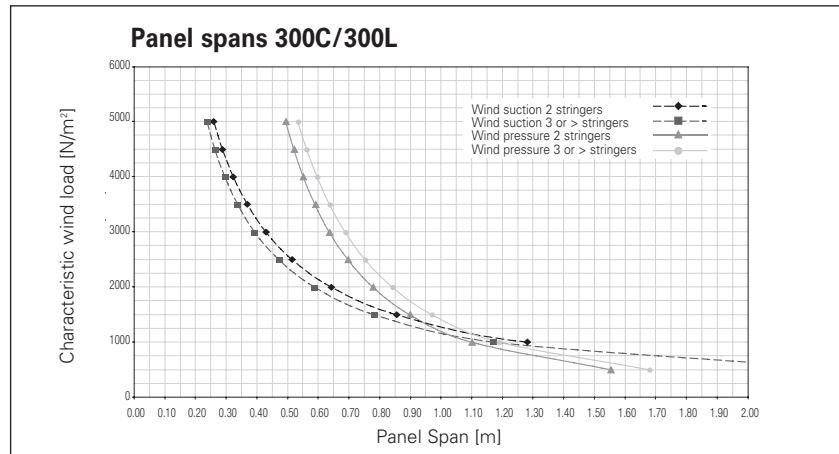
Before establishing the fixing distance of the carriers, the load per lineal meter carrier is to be determined by applying one of the following formulas:

Panels installed on:	Calculation of 'load per lineal meter carrier'
2 carriers	$0.5 q \times \text{panel span (C) in m}$
3 carriers	$1.25 q \times \text{panel span (C) in m}$
4 or more	$1.15 q \times \text{panel span (C) in m}$

$q = \text{windload in N/m}^2$
(uniformly distributed loads)

The carrier span (fixing distance) (B) can be read from the graph adjacent in the same way as the panel span.

Note: For corners, roof edges, special designs etc. wind pressure/suction shall be determined with due consideration to the relevant local country's Standard Codes of Building Practice.



Maximum Spans

150F

- Panel span (c)

The panel spans, in relation to the wind load (pressure or suction), can be calculated from the graph adjacent. At 1.500 N/m² the panel span should be 650 mm (on 3 or more carriers, no clip).

- Carrier span (b)

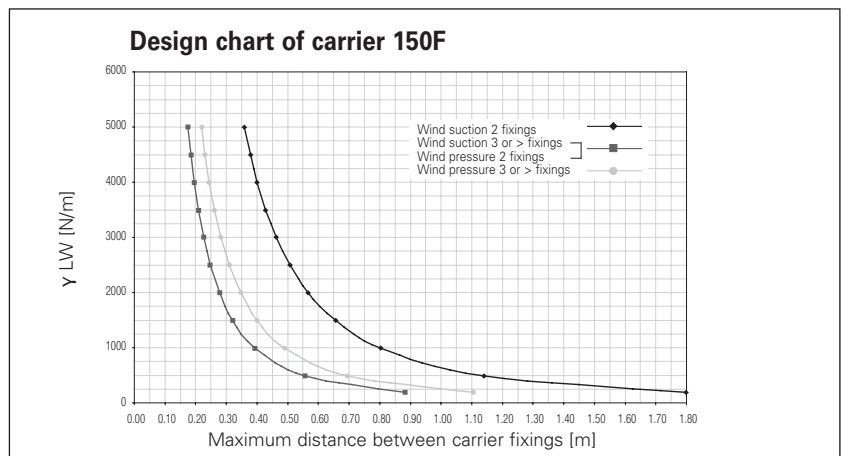
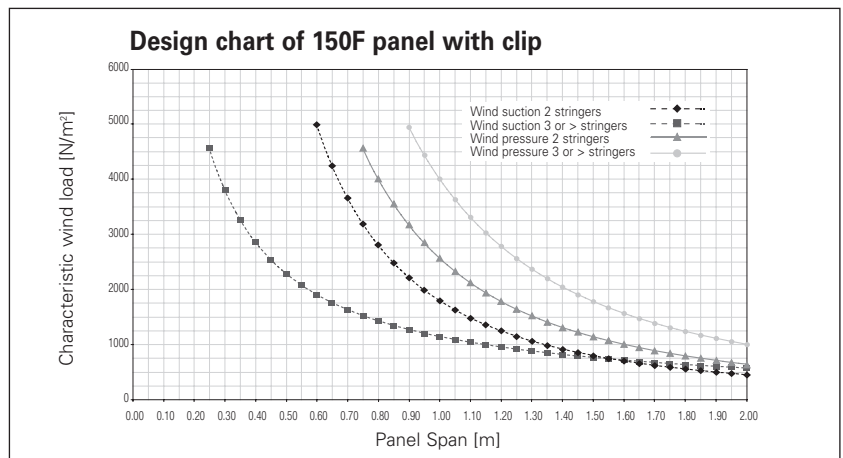
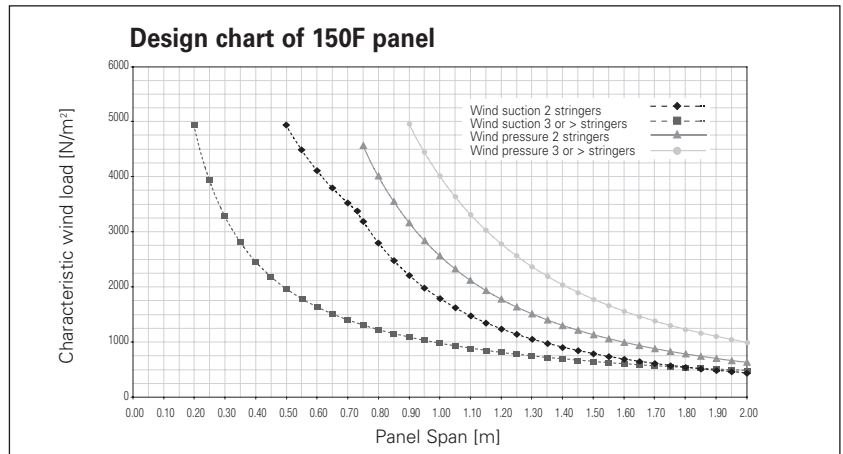
Before establishing the fixing distance of the carriers, the load per lineal meter carrier is to be determined by applying one of the following formulas:

Panels installed on:	Calculation of 'load per lineal meter carrier'
2 carriers	0.5 q x panel span (C) in m
3 carriers	1.25 q x panel span (C) in m
4 or more	1.15 q x panel span (C) in m

$q = \text{windload in N/m}^2$
(uniformly distributed loads)

The carrier span (fixing distance) (B) can be read from the graph adjacent in the same way as the panel span.

Note: For corners, roof edges, special designs etc. wind pressure/suction shall be determined with due consideration to the relevant local country's Standard Codes of Building Practice.



Maximum Spans

200F

- Panel span (c)

The panel spans, in relation to the wind load (pressure or suction), can be calculated from the graph adjacent. At 1.500 N/m² the panel span should be 530 mm (on 3 or more carriers, no clip).

- Carrier span (b)

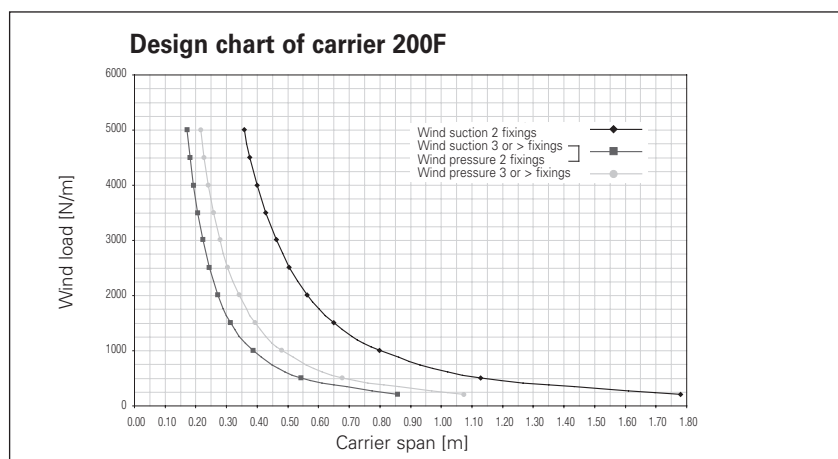
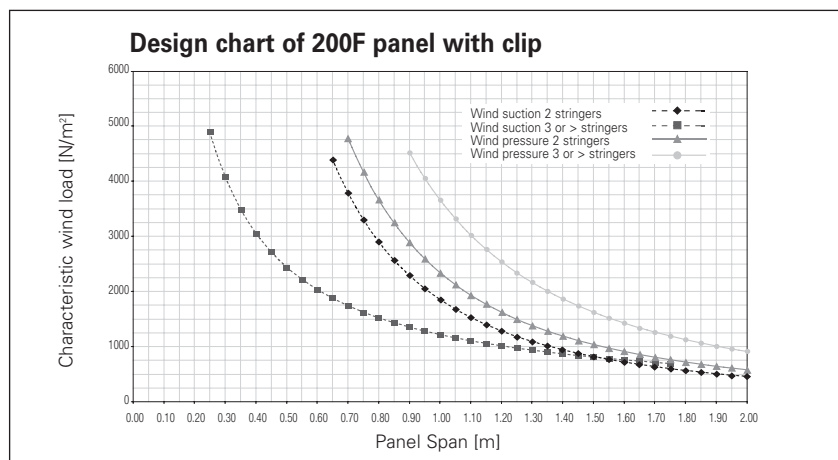
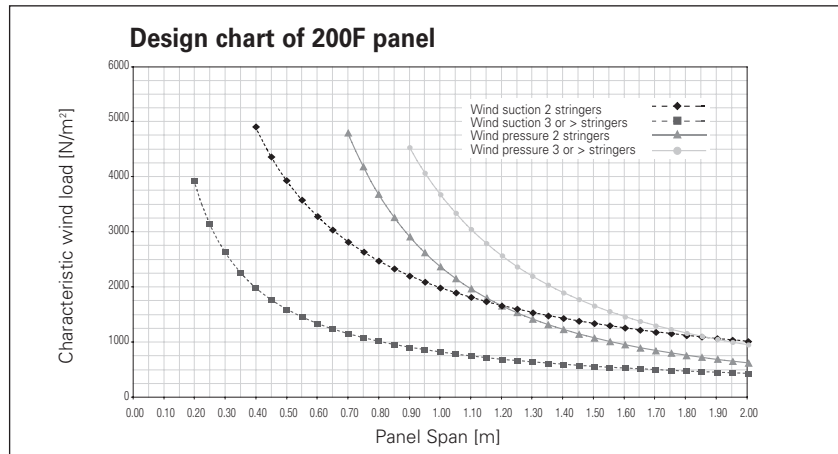
Before establishing the fixing distance of the carriers, the load per lineal meter carrier is to be determined by applying one of the following formulas:

Panels installed on:	Calculation of 'load per lineal meter carrier'
2 carriers	0.5 q x panel span (C) in m
3 carriers	1.25 q x panel span (C) in m
4 or more	1.15 q x panel span (C) in m

$q = \text{windload in N/m}^2$
(uniformly distributed loads)

The carrier span (fixing distance) (B) can be read from the graph adjacent in the same way as the panel span.

Note: For corners, roof edges, special designs etc. wind pressure/suction shall be determined with due consideration to the relevant local country's Standard Codes of Building Practice.



Maximum Spans

70U

- Panel span (c)

The panel spans, in relation to the wind load (pressure or suction), can be calculated from the graph adjacent. At 1.000 N/m² the panel span should be 1.500 mm (70U panel on 3 or more carriers).

- Carrier span (b)

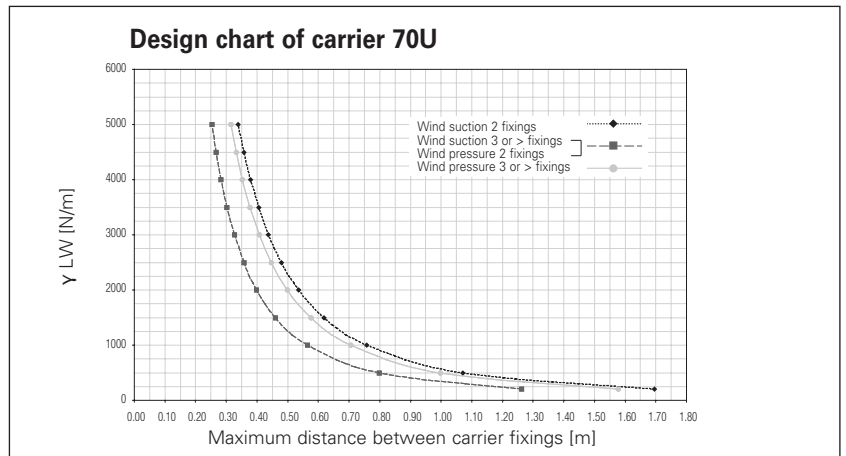
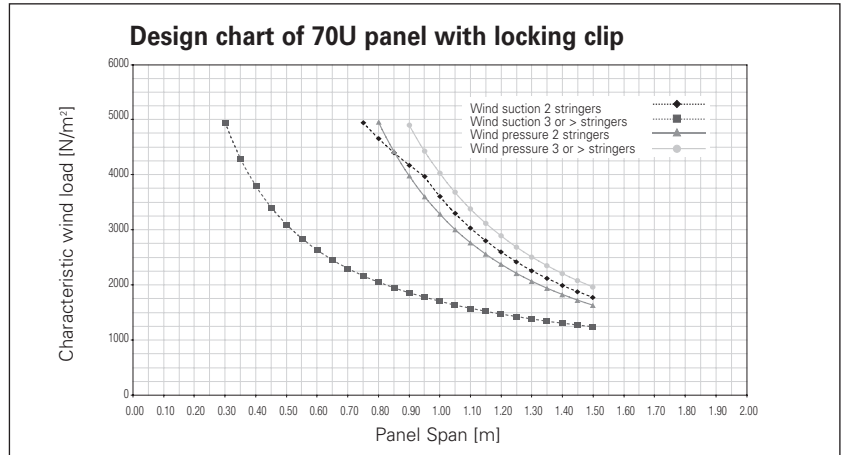
Before establishing the fixing distance of the carriers, the load per lineal meter carrier is to be determined by applying one of the following formulas:

Panels installed on:	Calculation of 'load per lineal meter carrier'
2 carriers	$0.5 q \times \text{panel span (C) in m}$
3 carriers	$1.25 q \times \text{panel span (C) in m}$
4 or more	$1.15 q \times \text{panel span (C) in m}$

$q = \text{windload in N/m}^2$
(uniformly distributed loads)

The carrier span (fixing distance) (B) can be read from the graph adjacent in the same way as the panel span.

Note: For corners, roof edges, special designs etc. wind pressure/suction shall be determined with due consideration to the relevant local country's Standard Codes of Building Practice.



Maximum Spans

V100

- Panel span (c)

The panel spans, in relation to the wind load (pressure or suction), can be calculated from the graph adjacent. At 500 N/m² the panel span should be 900 mm (on 3 or more carriers).

- Carrier span (b)

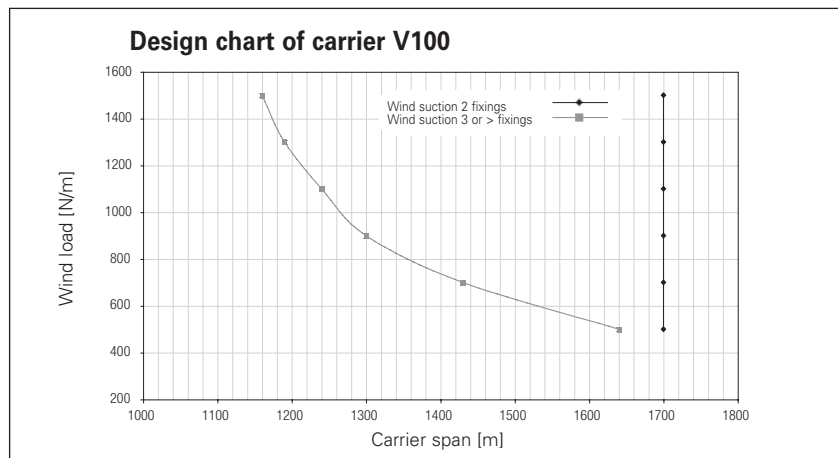
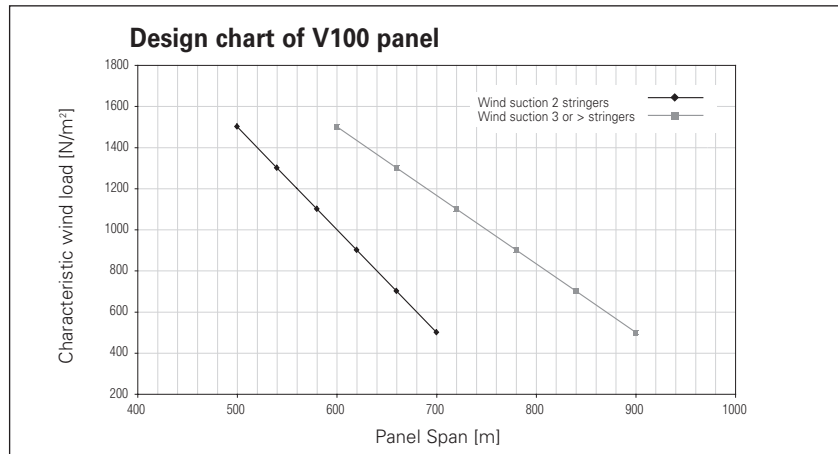
Before establishing the fixing distance of the carriers, the load per lineal meter carrier is to be determined by applying one of the following formulas:

Panels installed on:	Calculation of 'load per lineal meter carrier'
2 carriers	$0.5 q \times \text{panel span (C) in m}$
3 carriers	$1.25 q \times \text{panel span (C) in m}$
4 or more	$1.15 q \times \text{panel span (C) in m}$

$q = \text{windload in N/m}^2$
(uniformly distributed loads)

The carrier span (fixing distance) (B) can be read from the graph adjacent in the same way as the panel span.

Note: For corners, roof edges, special designs etc. wind pressure/suction shall be determined with due consideration to the relevant local country's Standard Codes of Building Practice.



Material specifications

FIRE BEHAVIOUR

Luxalon® Metal Suspended Ceilings are classified incombustible and will therefore not contribute to possible fires. When ceilings however need to protect the structural integrity of the building, Luxalon® Ceilings offer a range of practical and tested solutions with regards to fire resistance and fire stability. Further information is available on request.

EXTERIOR USE

Our proprietary coil-coating process ensures ceiling panels get a superb finish. Independent tests have proven the excellent performance characteristics of Luxacote®. The topcoat contains a solid UV filter that guarantees perfect colourfastness and gloss stability. The topcoat also offers better resistance against scratches with a structure that resists and masks any minor damage that may occur during installation, resulting in a high abrasion resistance. The alloy and pre-treatment also offers optimal resistance to corrosion.

COLOUR RANGE

The standard Hunter Douglas colour range for Luxalon® Exterior Ceiling systems includes several different colours and finishes. See colour chart. Any other (RAL or NCS) colour is available on request.

TOLERANCES

As a member of the Technical Association of Industrial Metal Ceiling Manufacturers (TAIM), Hunter Douglas complies with tolerance criteria as specified in chapter 7 of the TAIM Quality standards for metal.

CURVED CEILING POSSIBILITIES

Flexible carriers:

Multipanel, 84B, 84R, 70U

Curved panels: 84R

Curved subconstruction: 150F, 200F

EXTERIOR CEILINGS

Exterior building applications cope with severe conditions like wind, rain, snow, dirt, vandalism and UV light.

Our special aluminium alloy, high-quality surface treatments featuring Luxacote® and our wind resistant system ProFix™ ensures durability in applications like canopies, shopping centres and railway/underground stations.

- Box-shape, bevel-edge and round-edge panels
- Special alloy of corrosion-resistant aluminium
- Luxacote® coating system resistant to UV and scratches and is rain-, dirt- and snow-proof
- Certified for wind loads
- Wind resistant suspension system ProFix™.

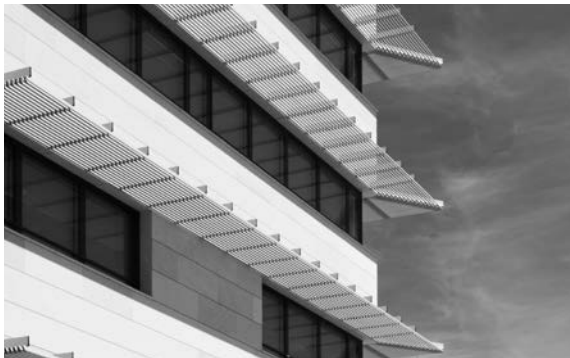


HUNTER DOUGLAS

ARCHITECTURAL

For more than 60 years, we've been fortunate enough to help turn countless innovative sketches into innovative buildings. Architects, designers, investors and contractors from around the world have taken advantage of Hunter Douglas' unmatched product development, service and support. Chances are, you've seen more of Hunter Douglas than you think.

Major operation centres in Europe, North America, Latin America, Asia and Australia, we've contributed to thousands of high-profile projects, from retail and commercial facilities to major transit centres and government buildings.



▲ SUN LOUVRES

CEILINGS ▼



▲ CEILINGS

FAÇADES ▼



Not only are the world's architects and designers our partners, they're our inspiration. They continue to raise the bar for excellence. We create products that help bring their visions to life: Ceilings, Sun Louvres and Façades.

Designed to work for you

® Registered trademark of Hunter Douglas - a HunterDouglas® product Pats. & Pats. Pend. - Technical data subject to change without notice. © Copyright Hunter Douglas 2019. No rights can be derived from copy, text pertaining to illustrations or samples. Subject to changes in materials, parts, compositions, designs, versions, colours etc., even without notice. **MX800C00**



The Dutch Green Building Council (DGBC) was founded in 2008 in the Netherlands as a market initiative. The goal was to create sustainability in the sector measured by developing a sustainability label for an unambiguous classification of buildings in the Netherlands.

Unprecedented Protection
LUXACOTE[®]
 for exterior application

Our proprietary coil-coating process ensures ceiling panels get a superb finish. Independent tests have proven the excellent performance characteristics of Luxacote[®].

HunterDouglas 
 Architectural



ARCHITECTURAL SERVICES

We support our business partners with a wide range of technical consulting and support services for architects, developers and installers. We assist architects and developers with recommendations regarding materials, shapes and dimensions, colours and finishes.

We also help with the creation of design proposals, visualisations, and installation drawings. Our services to installers range from providing detailed installation drawings and instructions to training installers and advising on the building site.



Hunter Douglas adopts the cradle to cradle (C2C) product philosophy to the design of products that fit the circular paradigm. Both our metal and felt ceilings are Cradle to Cradle[™] Bronze certified. They are designed for longevity, using materially healthy technical nutrients that can be reused at end of life as a high-quality source for something new.

Cradle to Cradle Certified[™] is a certification mark licensed by the Cradle to Cradle Products Innovation Institute.

Learn More

- Contact our Sales office
- www.hunterdouglasarchitectural.eu



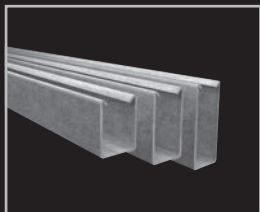
Printed on
 EU Ecolabel
 certified paper



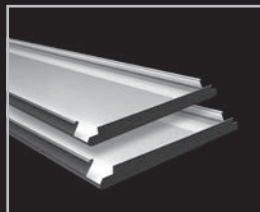
Hunter Douglas products and solutions are designed to improve indoor environmental quality and conserve energy, supporting built environments that are comfortable, healthy, productive, and sustainable.



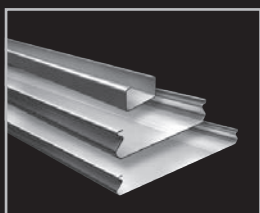
Our paint and aluminium melting processes are considered to be one of the industry standards in terms of clean production processes. All aluminium products are 100% recyclable at the end of their lifecycle.



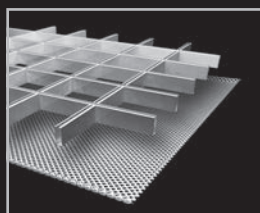
HeartFelt® Linear



Wide Panel



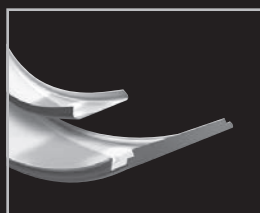
Linear



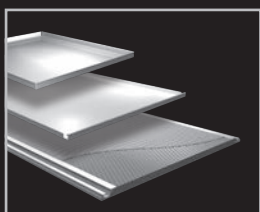
Cell | Stretch metal



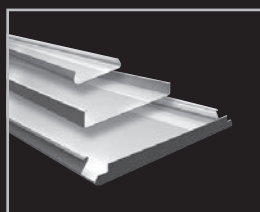
Baffles



Curved



Tiles | Planks | XLnt



Exterior

Belgium
Bulgaria
Croatia / Slovenia
Czech Republic
Denmark
France
Germany
Greece
Hungary
Italy
The Netherlands
Norway
Poland
Portugal
Romania
Russia
Serbia
Slovakia
Spain
Sweden
Switzerland
Turkey
United Kingdom
Africa
Middle East

Asia
Australia
Latin America
North America

Hunter Douglas Architectural

Piekstraat 2
P.O. Box 5072 - 3008 AB Rotterdam
The Netherlands
Tel. +31 (0)10 - 486 99 11
Fax +31 (0)10 - 484 79 10
www.hunterdouglasarchitectural.eu